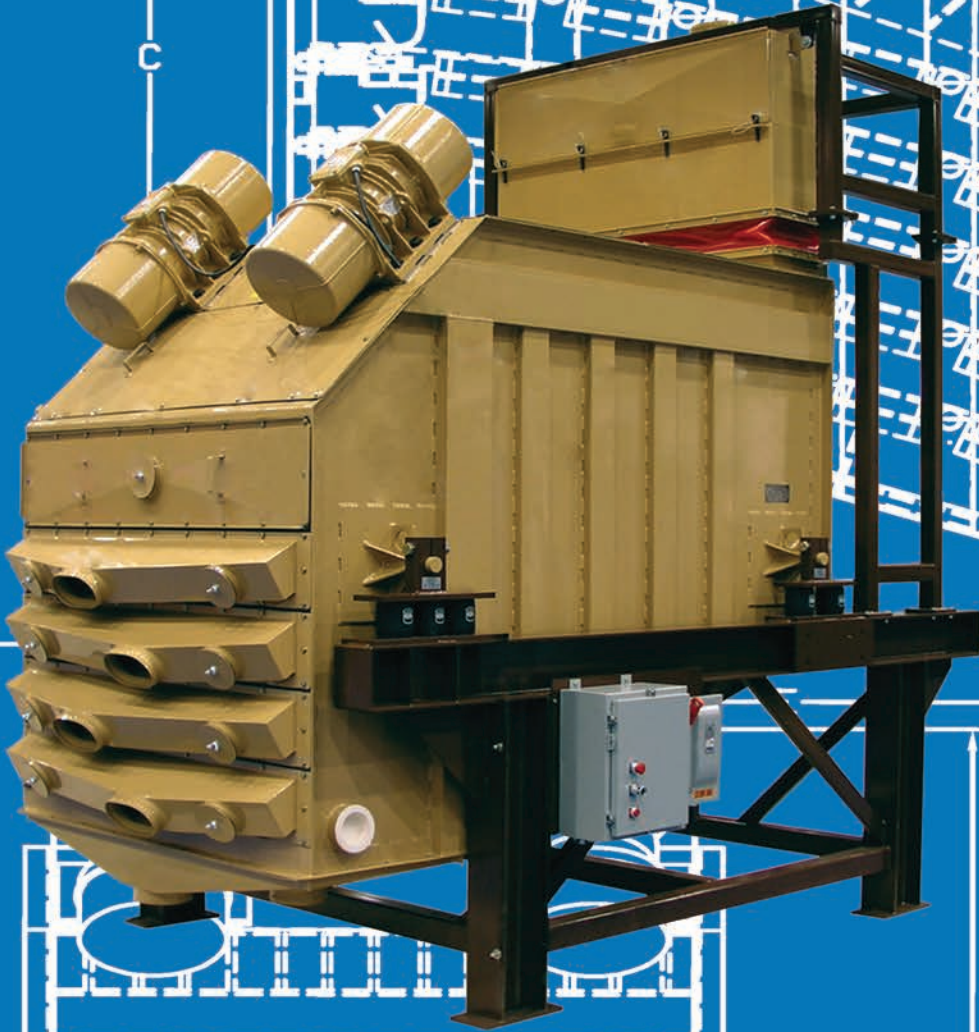


Multi-Vib®

For accurate vertical sizing of materials



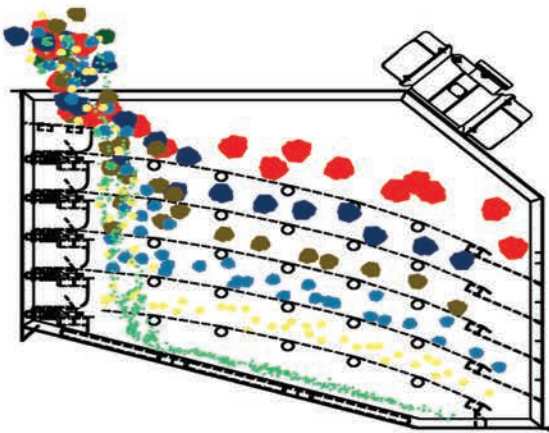
"The Sizing People"®



S INDUSTRIES, INC.

Multi-Vib® Screener

The Midwestern Industries Multi-Vib is a powerful and rugged screener. The unit is end-tensioned and utilizes vertical stratification to rapidly shear mixed-size particles into desired gradations.



Multi-Vib Construction

Midwestern's Multi-Vib high-frequency screener is constructed to handle tough-screening applications that larger screens typically can't handle. The two counter-rotating motors create a linear motion that enables the unit to screen finer particles accurately and efficiently.

The screener is designed with a unique parallel-arc configuration found on both Midwestern's MEV® and Multi-Vib rectangular screeners. Crossbars support the end-tensioned screens and create a flat screening surface for the material to travel. Where most other makes of rectangular have a crown or an arc that pushes the material outward, the Multi-Vib utilizes the entire screen deck. This gives the screener the ability to do the job of a large screener with a more compact design.

The end-tensioned screen used in the Multi-Vib screener allows the user to make screen changes in 10-15 minutes rather than other more timely models—reducing costly downtime.

Material Flow Pattern

The Multi-Vib screener is able to screen finer particles due its unique design. The linear motion created by two counter-rotating motors on top of the screener provides lift-and-throw action and the arc of the screen deck helps to convey the materials to the discharge chutes.

Unit Size and Deck Options

Multi-Vib's are available in various sizes that include: 3' x 5', 4' x 6', and 5' x 7'. The screeners also come with the choice of three-deck or five-deck units depending on your application needs.

MODEL	Size	Sq. Feet
Multi-Vib	3' x 5'	15 sq/ft
Multi-Vib	4' x 6'	24 sq/ft
Multi-Vib	5' x 7'	35 sq/ft

Multi-Vib[®] Accessories



A variety of efficient accessories are available for the Multi-Vib Screener. After careful testing of your material, Midwestern can pair your Multi-Vib Screener with the right accessories that will help you achieve your desired screening results.



Ball Trays

The ball trays will reduce blinding caused by near-size plugging of the wire cloth screens. Adding ball trays to your unit can help prevent blinding in both wet or dry screening applications. Also, the secondary vibration caused by the bouncing balls against the screens helps to stratify the material for greater throughput which results in higher levels of production.



Material Distributor

Material distributors are available for wet and dry applications to ensure even distribution of material over the width of the screens. The material distributor can also be added to existing units. Midwestern can further customize our distributor with added options; such as heating, non-stick coatings, slide gate, and an adjustable distribution plate for fine-tuning while on-site.



Making an Informed Decision

Midwestern believes this is the best tool for our customers to make informed decisions about their screening process. The simple act of sending in material can save you time and money by purchasing the right equipment the first time.

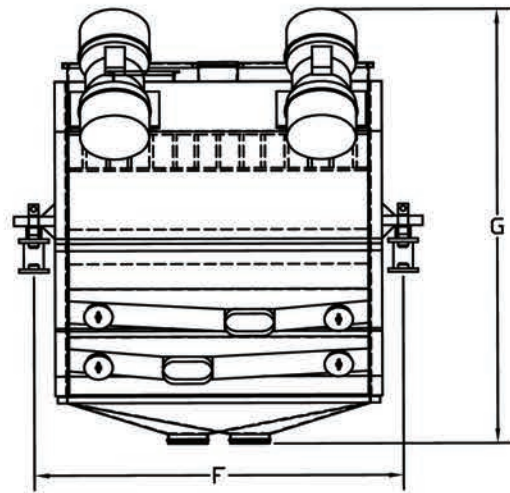
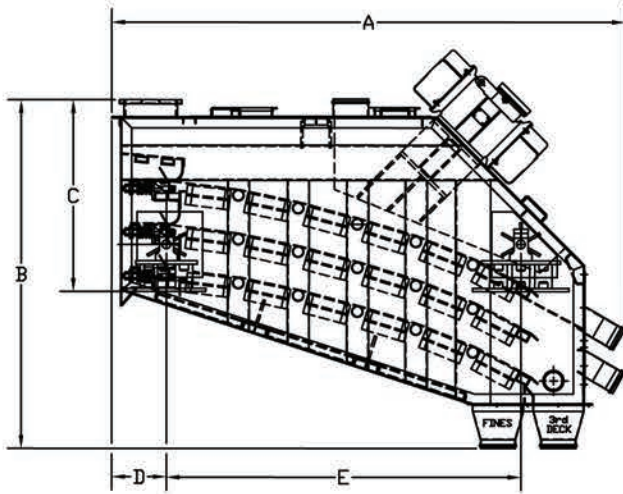


Multi-Vib[®] Dimensions



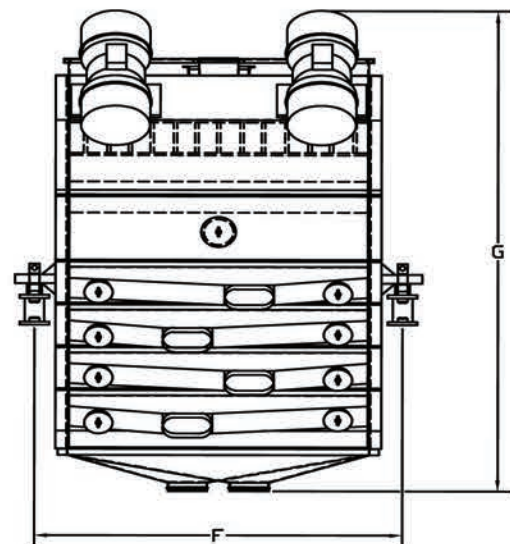
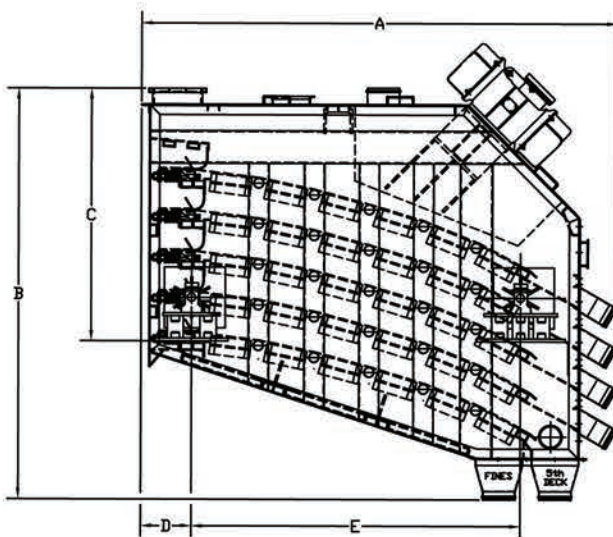
The High-Frequency Multi-Vib Screener offers finer screening with higher throughput rates. The compact design competes with larger screening units by utilizing the entire screening surface.

3-Deck Multi-Vib



MODEL	A	B	C	D	E	F	G
3' x 5'	88 11/16"	67 3/4"	40 11/16"	12 5/16"	57 11/16"	48 3/8"	75 13/16"
4' x 6'	98 3/16"	75 1/4"	44 1/2"	12 1/2"	66 1/2"	61"	84 5/8"
5' x 7'	117 5/16"	79 3/4"	43 7/8"	12 1/2"	81"	74 1/2"	90 7/8"

5-Deck Multi-Vib



MODEL	A	B	C	D	E	F	G
3' x 5'	88 11/16"	83 1/2"	47 7/16"	12 5/16"	57 11/16"	48 3/8"	91 9/16"
4' x 6'	98 3/16"	95 3/16"	54"	12 9/2"	66 1/2"	61"	104 7/16"
5' x 7'	117 5/16"	101 1/8"	62 1/4"	12 1/2"	81"	74 1/2"	112 1/4"